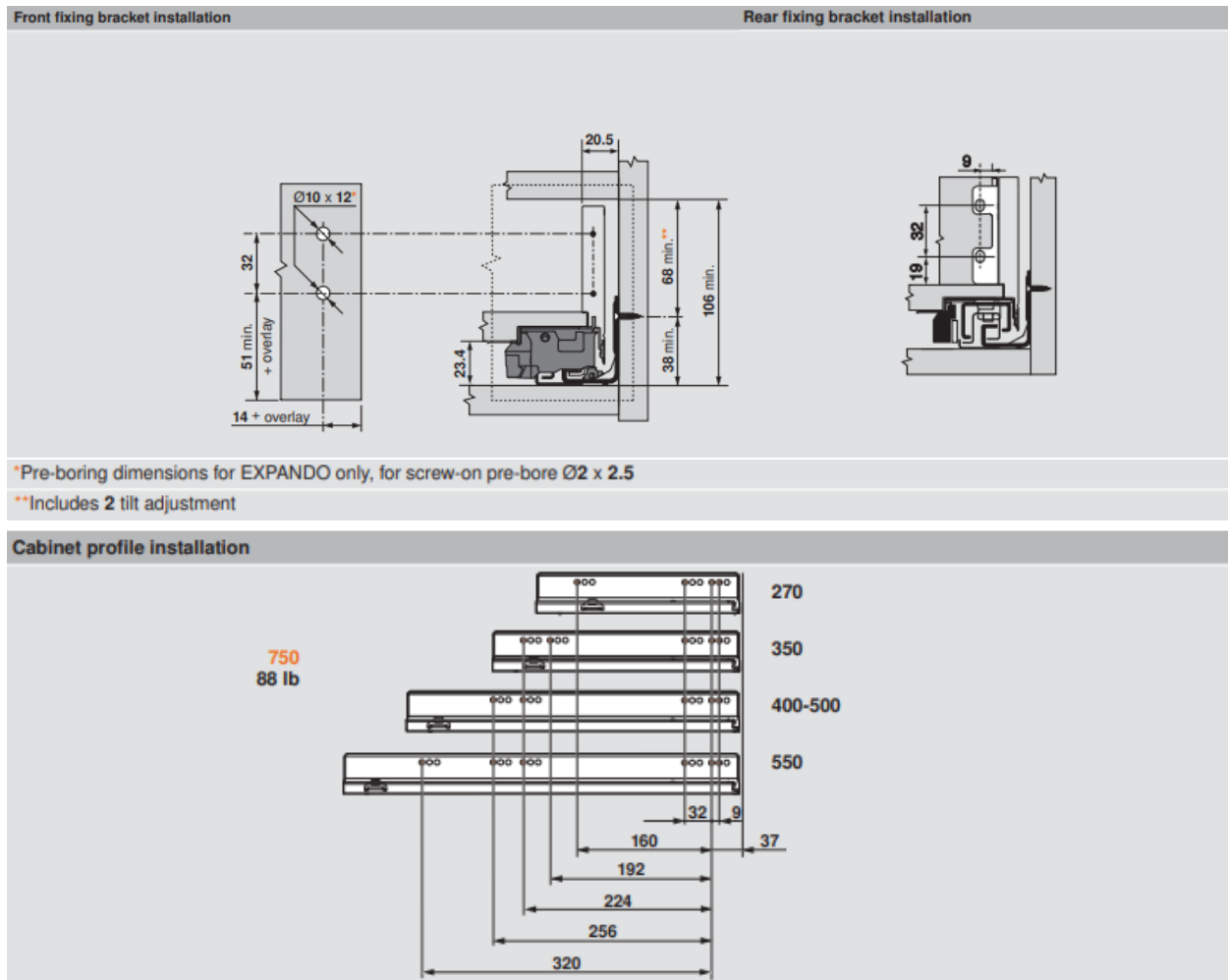


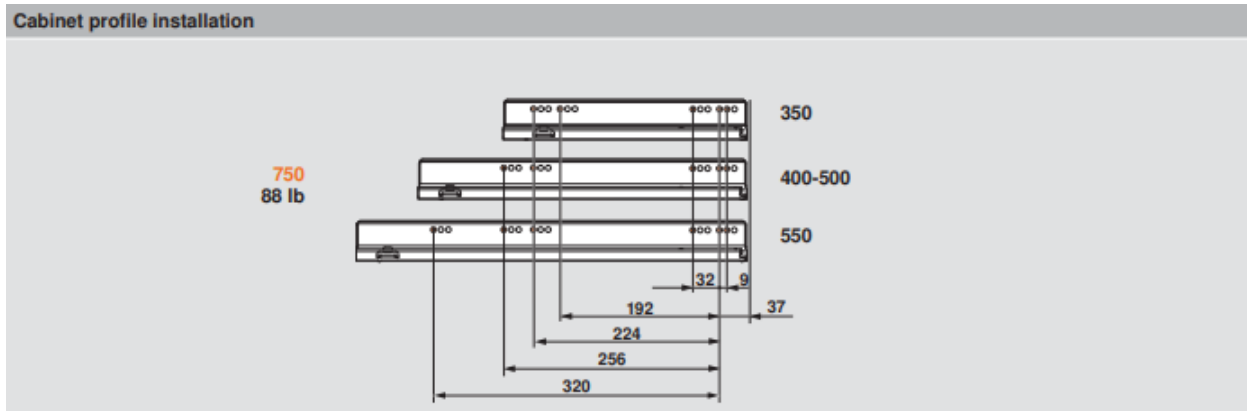
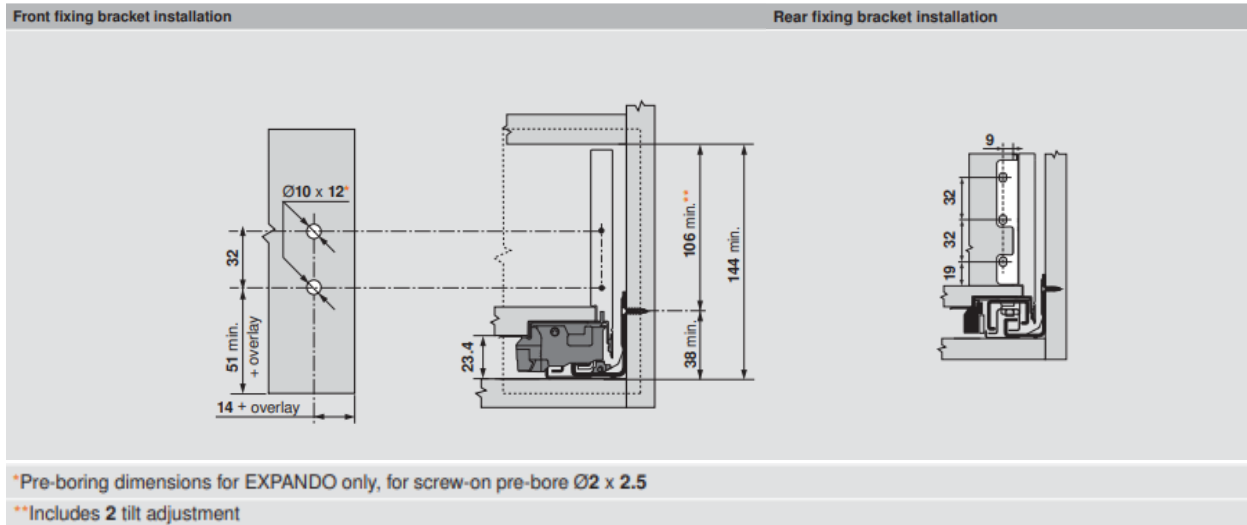
## M Height Sizing Info



### Tips:

1. Measurements are in millimeters. Conversion will be needed if imperial measurements are desired.
2. Use the "Front fixing bracket installation" for minimum measurements of drawers.
3. "Cabinet profile installation" is where the screws will be installed per length.
4. Look at page 5 for complete installation information.

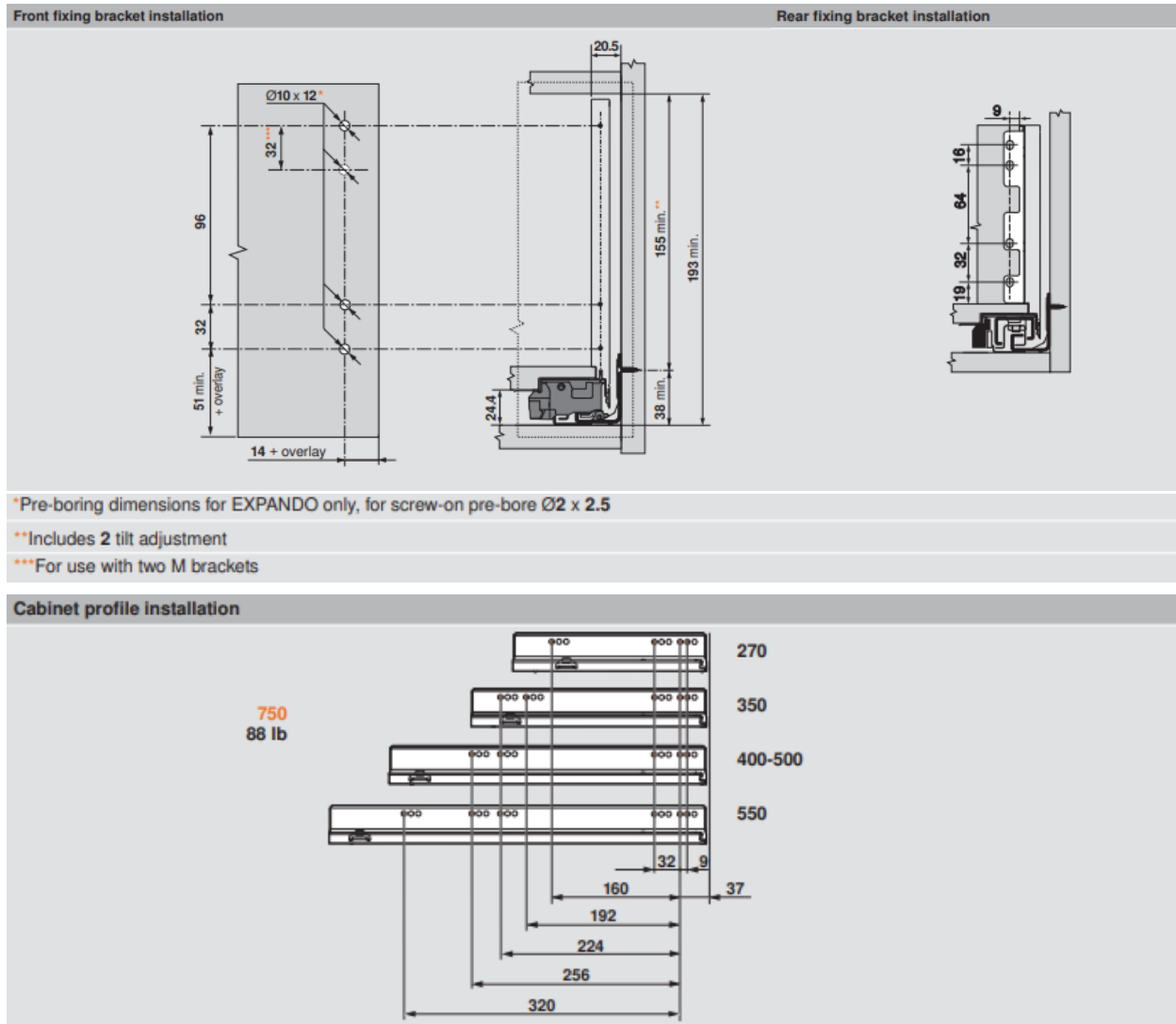
## K Height Sizing Info



### Tips:

1. Measurements are in millimeters. Conversion will be needed if imperial measurements are desired.
2. Use the "Front fixing bracket installation" for minimum measurements of drawers.
3. "Cabinet profile installation" is where the screws will be installed per length.
4. Look at page 5 for complete installation information.

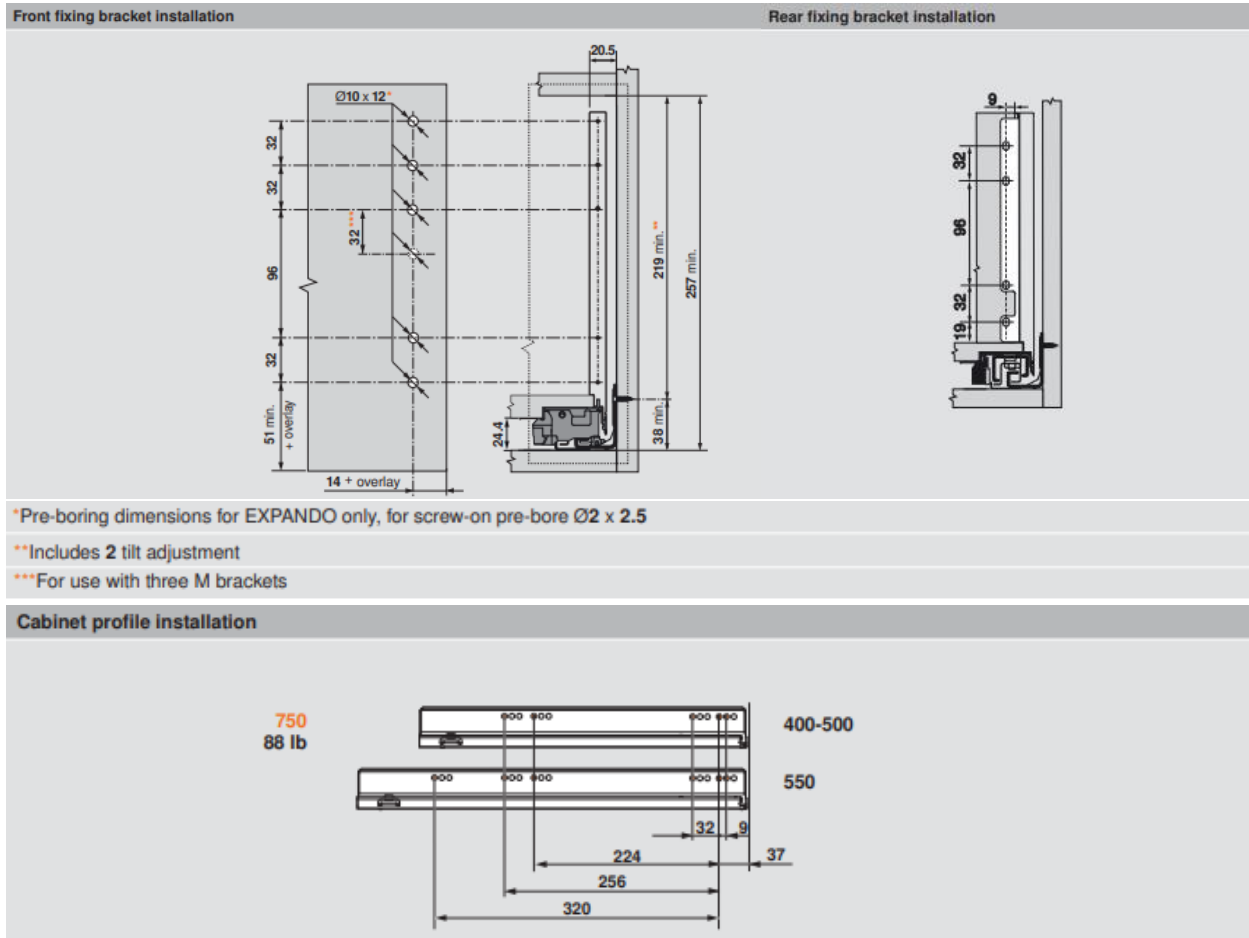
## C Height Sizing Info



### Tips:

1. Measurements are in millimeters. Conversion will be needed if imperial measurements are desired.
2. Use the "Front fixing bracket installation" for minimum measurements of drawers.
3. "Cabinet profile installation" is where the screws will be installed per length.
4. Look at page 5 for complete installation information.

## F Height Sizing Info



### Tips:

1. Measurements are in millimeters. Conversion will be needed if imperial measurements are desired.
2. Use the "Front fixing bracket installation" for minimum measurements of drawers.
3. "Cabinet profile installation" is where the screws will be installed per length.
4. Look at page 5 for complete installation information.

# How to Assemble

## Step 1

### Measure inside cabinet width (ICW)

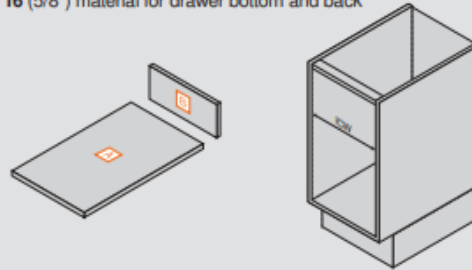
Use inside cabinet width (ICW) to calculate the drawer bottom and back dimensions. Formulas are found on the specification page of each application.

#### M Height example:

- A** Drawer bottom: Width = ICW minus **35** (1-3/8")  
Length = Actual cabinet profile length minus **10** (13/32")
- B** Drawer back: Width = ICW minus **38** (1-1/2")  
Height = **63** (2-15/32")

For best assembly results, use BOXFIX E-L.

Use **16** (5/8") material for drawer bottom and back

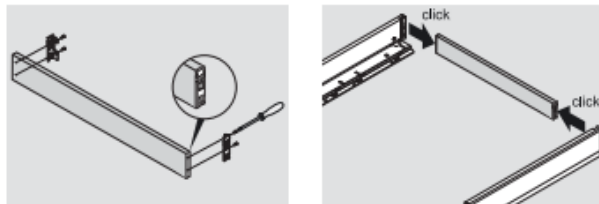


**NOTE:** Minimum inside cabinet width without TIP-ON BLUMOTION = **148** (5-13/16")

## Step 2

### Attach drawer back

Rear fixing brackets are attached with #6 x 1/2" truss head screws (612TH). The drawer back, with rear fixing brackets attached, snaps into the rear of both drawer profiles.

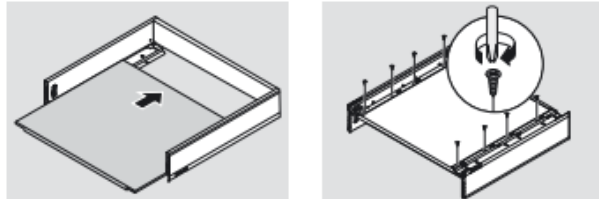


## Step 3

### Drawer bottom installation

The drawer bottom slides into the drawer profiles.

Push the drawer bottom flush with the front of the drawer.  
Pre-bore and attach with wood screws (612TH).

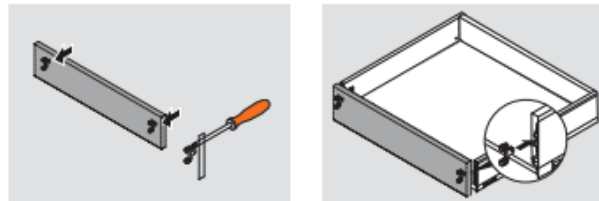


## Step 4

### Attach drawer front

Follow the installation drawing for locating hole positions for front fixing brackets and pre-bore the necessary EXPANDO Ø10 x 12 holes (screw-on versions also available). Insert front fixing bracket into pre-bored holes and screw as shown to secure.

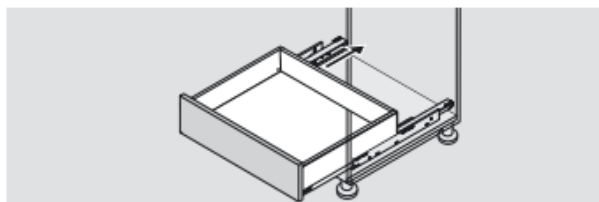
Snap drawer front onto drawer.



## Step 5

### Drawer box installation

Place drawer box onto cabinet profiles and insert drawer box into cabinet.



## Drawer Removal

### Drawer box removal

Pull drawer forward to reveal locking devices. Squeeze triggers on locking device and lift drawer box off of runners.

